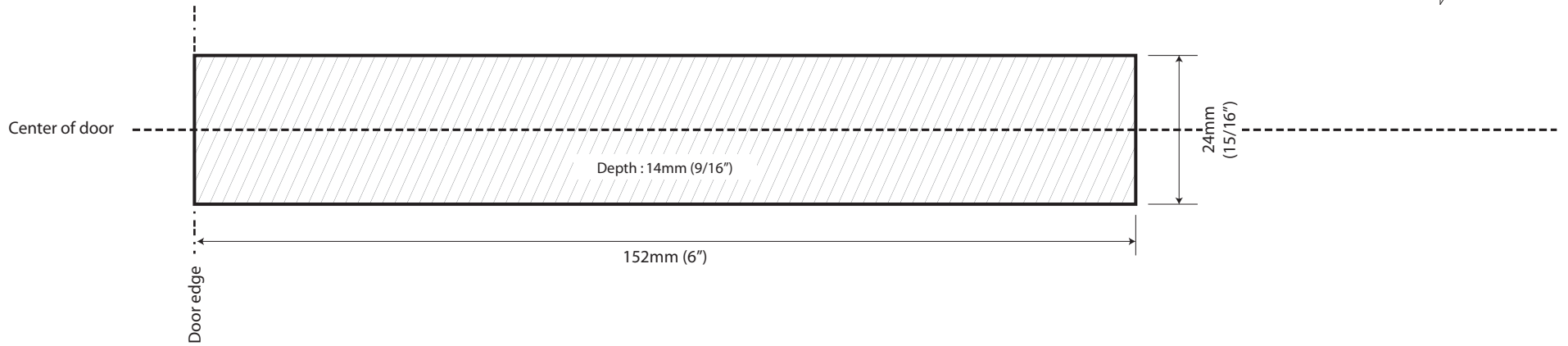
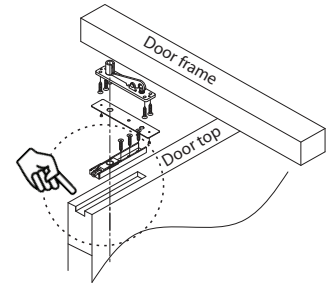


Pivot Door Closer Model: **PDC105W-(S)**  
 Template for Top Pivot (Door Part)



NOTE:  
 Do not change the scale when printing. On the Printer Setup, choose "Letter" for paper size and select "Actual Size" for print sizing.



Pivot Door Closer Model: **PDC105W-(S)**  
 Template for Top Pivot (Frame Part)



NOTE:  
 Do not change the scale when printing. On the Printer Setup, choose "Letter" for paper size and select "Actual Size" for print sizing.

