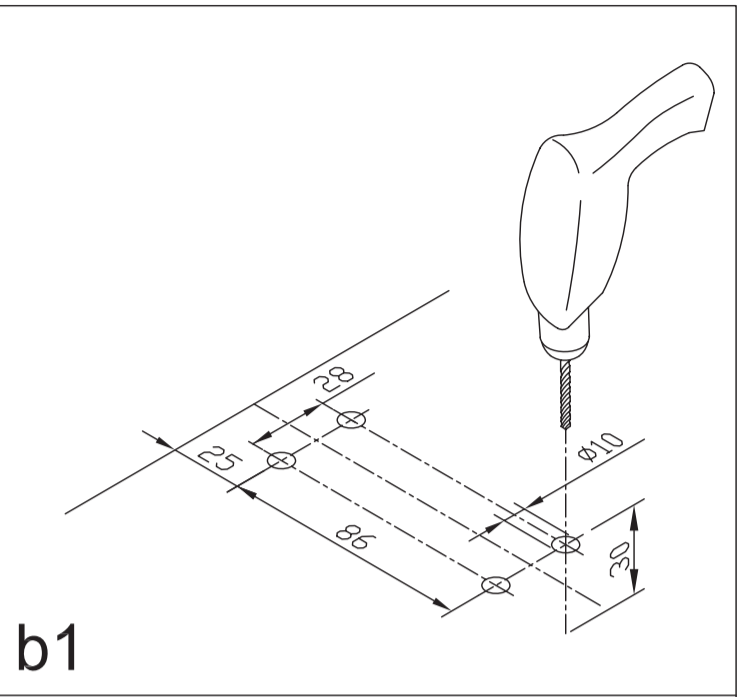
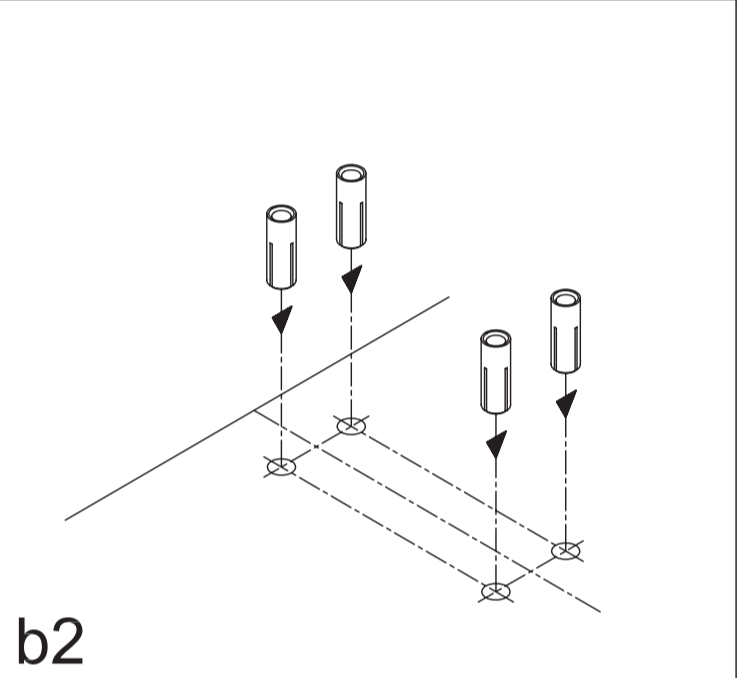


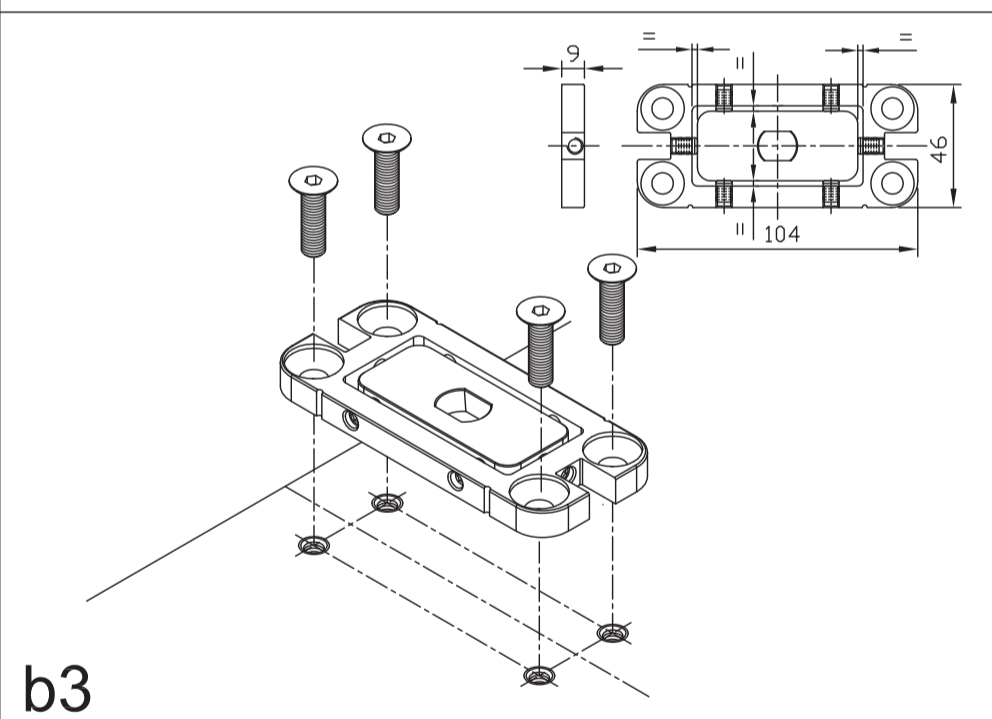
a1



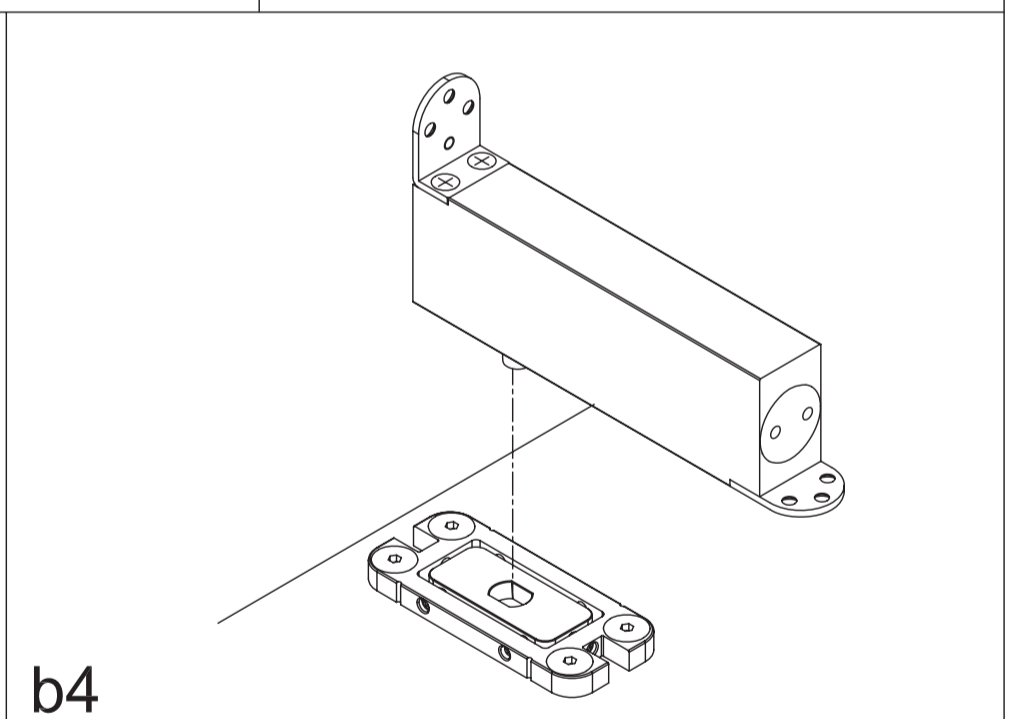
b1



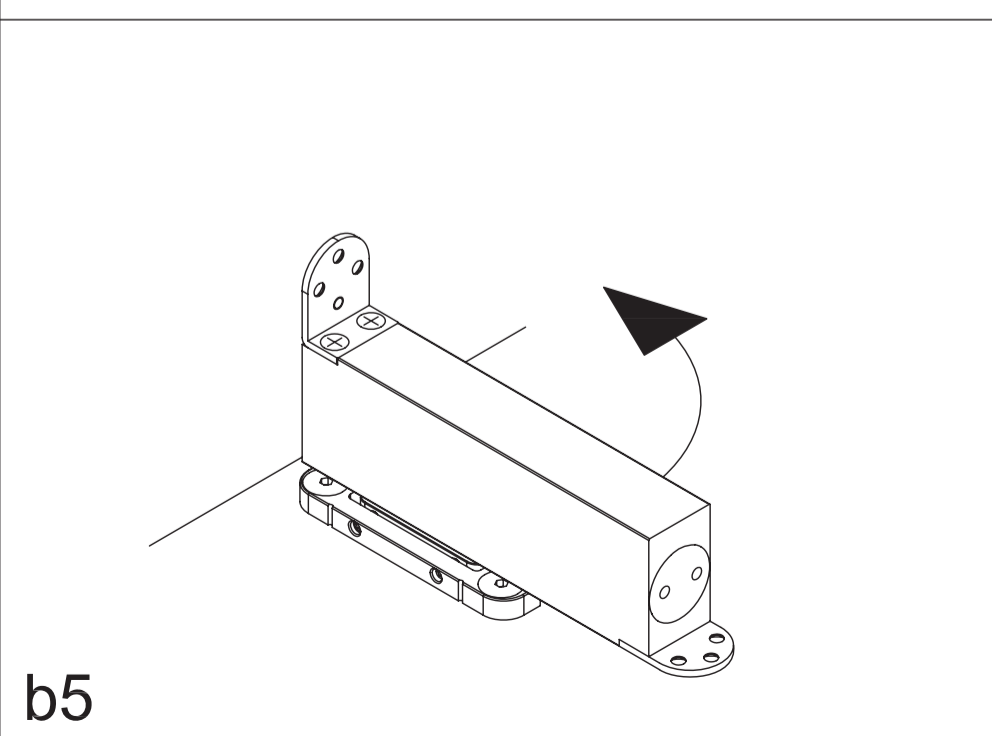
b2



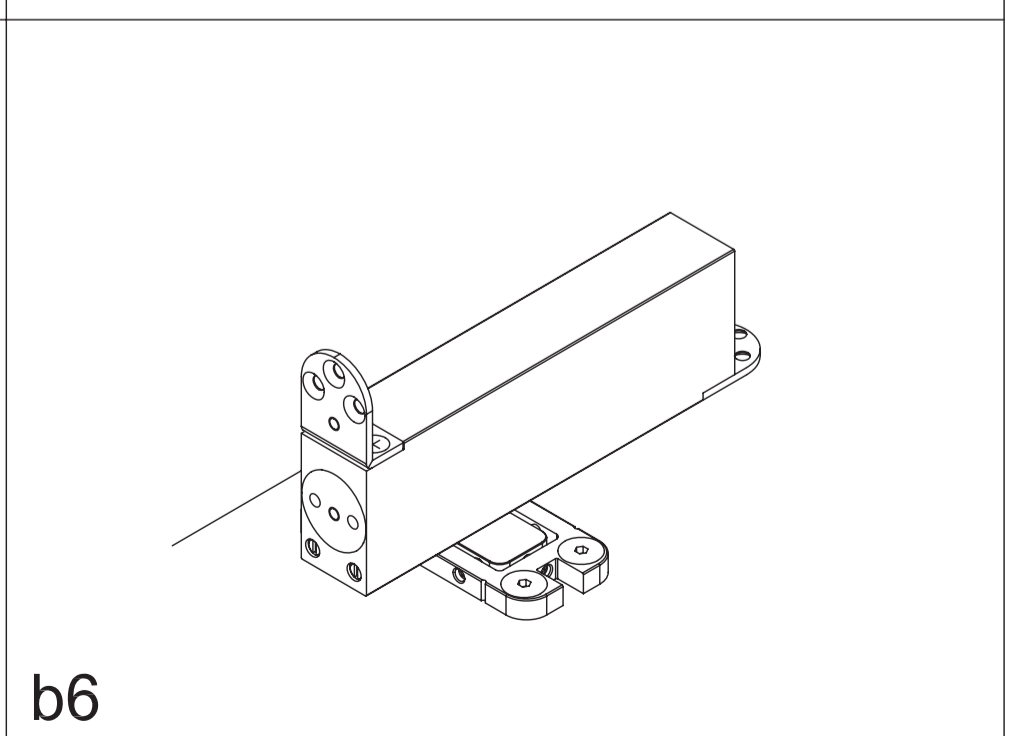
b3



b4

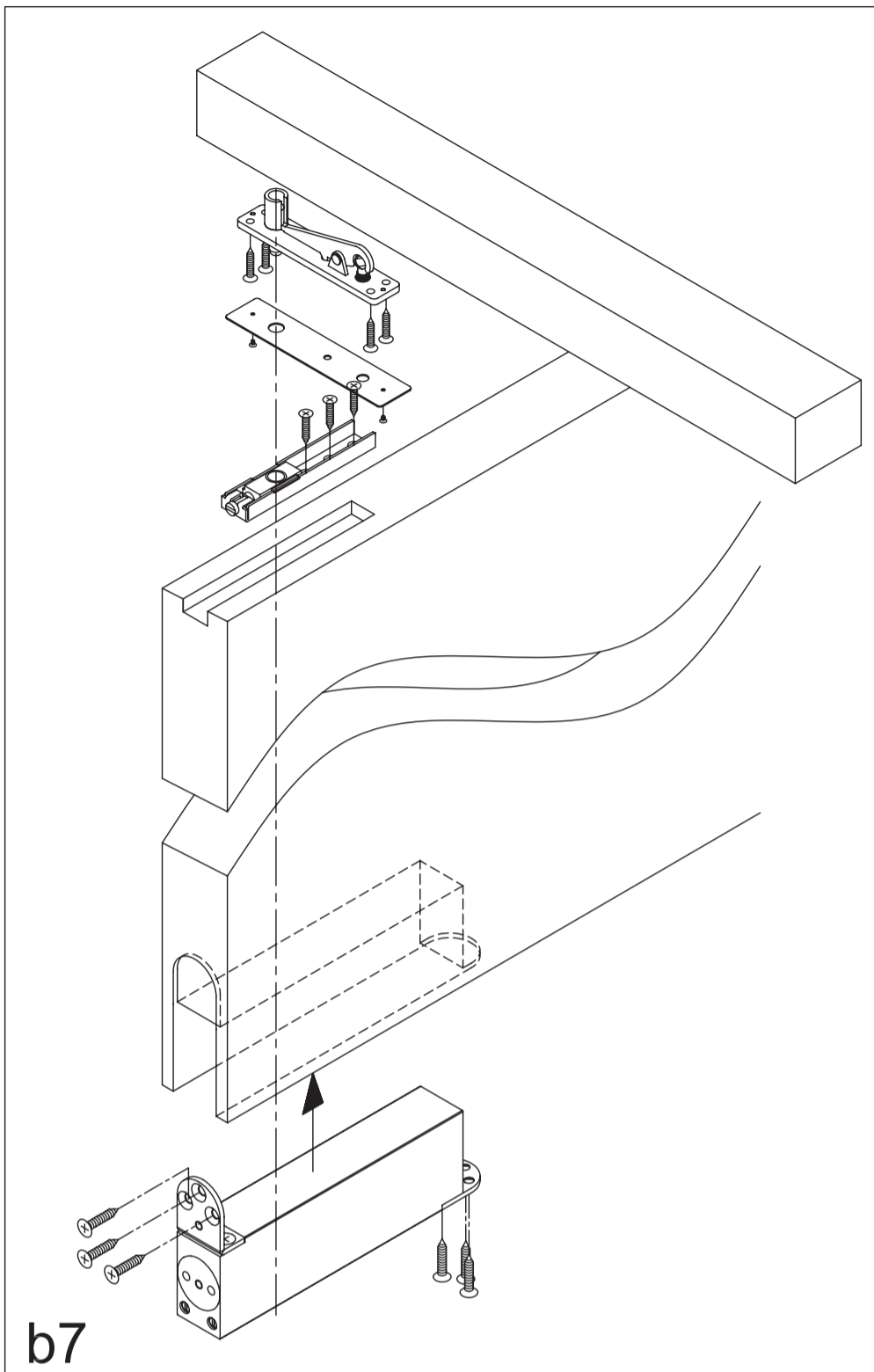


b5

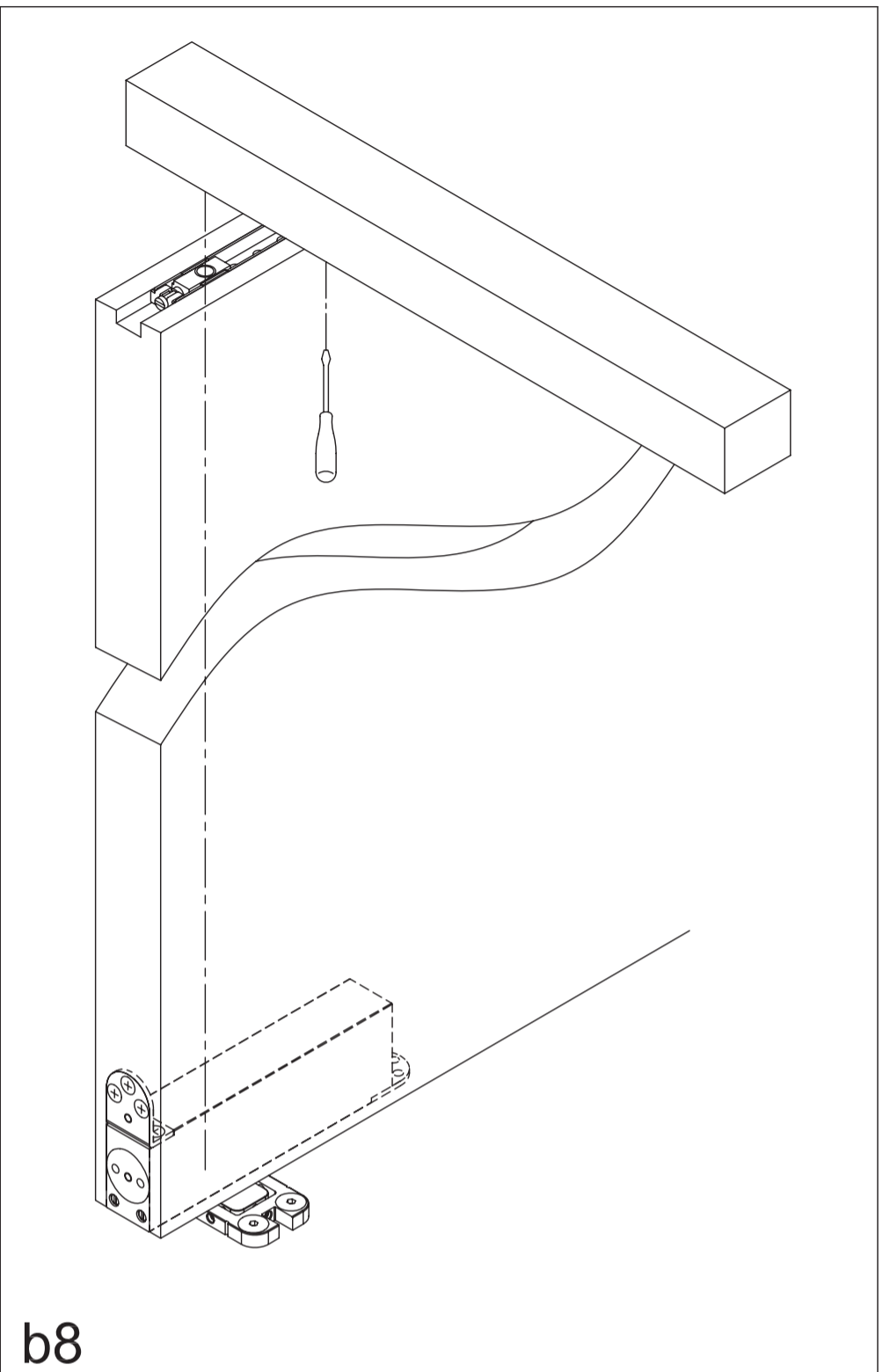


b6

INSTALLATION INSTRUCTIONS NHN PIVOT CLOSER MODEL NO. PDC105W/PDC105WS



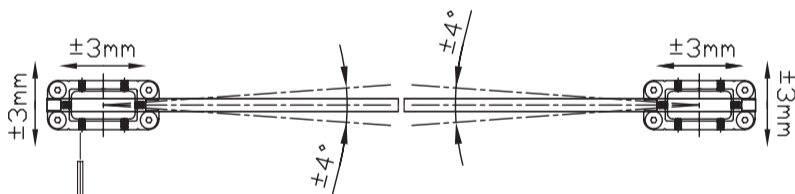
b7



b8

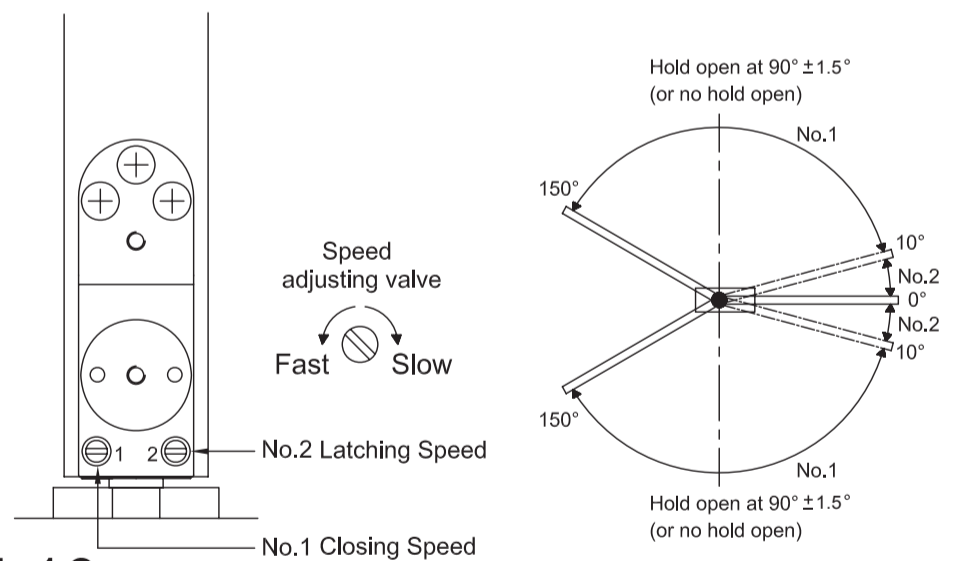
DOOR ADJUSTMENT

Adjust the alignment, only if needed.

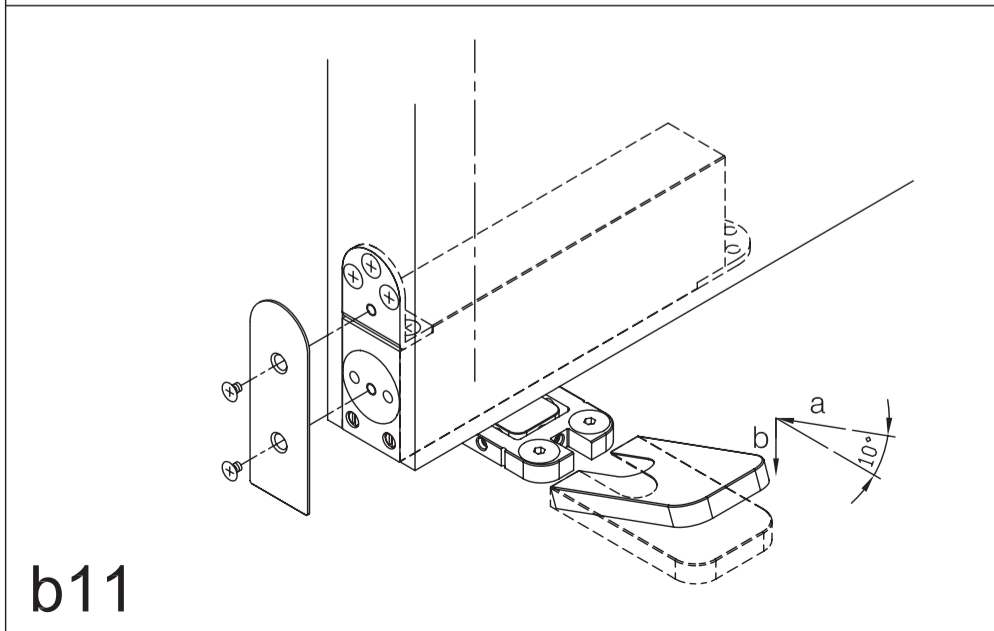


SECURE THE ADAPTER PLATE.
Tighten all 6 grub screws with the allen key firmly when the adapter plate is in its final and correct position.

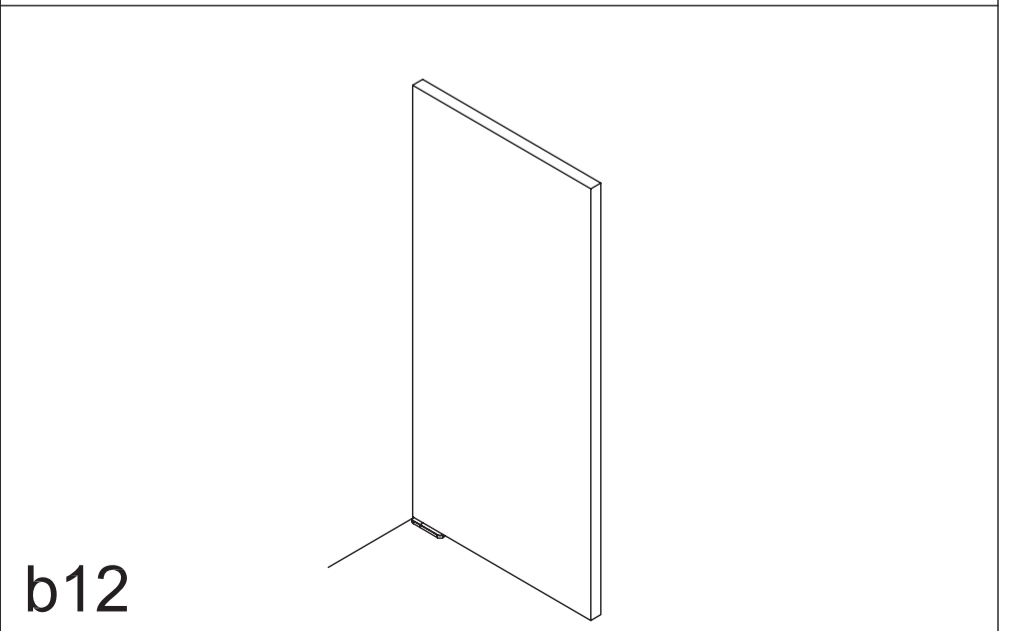
b9



b10



b11



b12