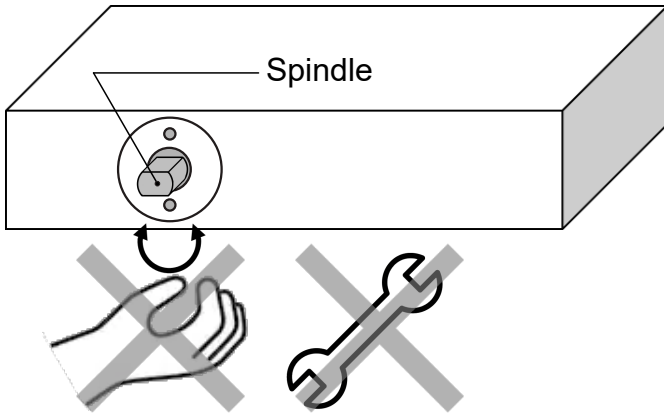


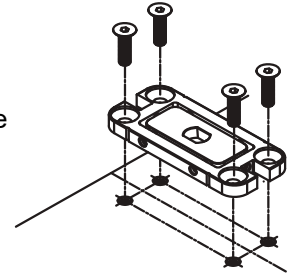
 **Caution:**



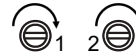
Do NOT rotate the spindle (pivot pin of closer main unit) by hand or tools.

To rotate the spindle:

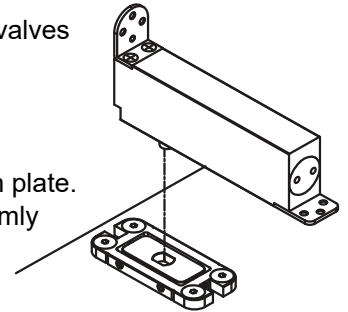
1. Securely fix the bottom plate on the floor by screws.



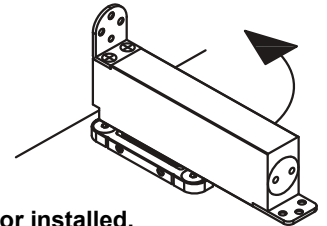
2. Turn the speed adjustment valves clockwise all the way.



Set the closer on the bottom plate.
(Make sure the spindle is firmly inserted into the hole.)



3. Rotate the closer.



* Rotation may feel heavy without door installed.
After installing door, it will feel light.